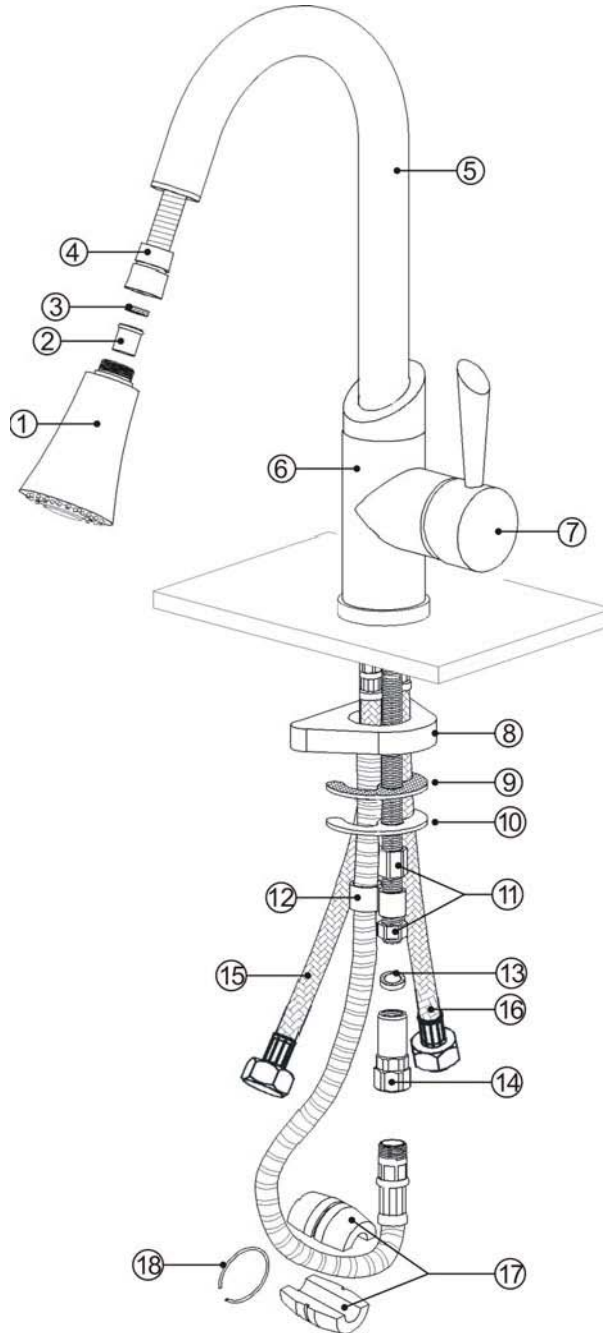


SINGLE HANDLE PULL-DOWN Models 1007 - 1014 Series Kitchen Faucets

FOR ALL 1007 - 1014 SERIES KITCHEN FAUCET, USE THE SAME INSTRUCTIONMANUAL. THE BELOW APPEARANCE OF FAUCET IS FOR YOUR REFERENCE ONLY.

- | No. | Part Name |
|-----|----------------------------------|
| 1 | Shower head |
| 2 | Check valve with flow restrictor |
| 3 | Washer |
| 4 | Flexible hose |
| 5 | Spout |
| 6 | Body |
| 7 | Handle |
| 8 | Plastic washer |
| 9 | Rubber washer |
| 10 | Metal washer |
| 11 | Lock nut |
| 12 | Plastic cover |
| 13 | Washer |
| 14 | Swivel nut |
| 15 | Inlet pipes |
| 16 | Inlet pipes |
| 17 | Weight |
| 18 | Lock wire |



HELPFUL TOOLS:

For safety and ease of faucet replacement, we recommend the use of these helpful tools
Adjustable Wrench & Phillips Screwdriver.

SINGLE HANDLE PULL-DOWN KITCHEN FAUCET

Installation Instruction:

