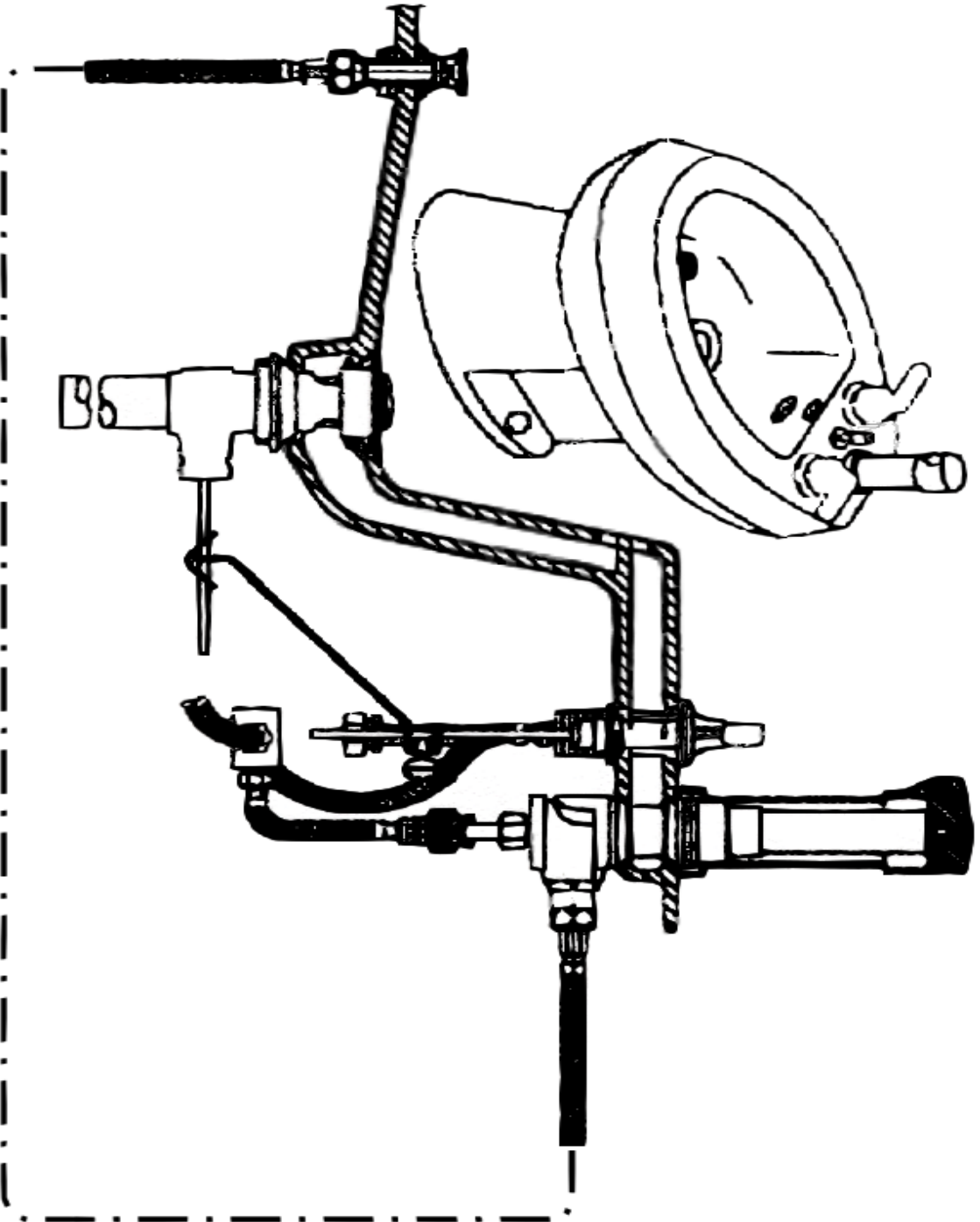


Warning: Do Not use Plumbers putty or pipe dope on threads. This could cause damage to ceramic cartridge. Use the enclosed roll of of Teflon tape. Maintain the luster by wiping with damp cloth and drying faucet.



FaucetsUSA 872 Bidet Series

