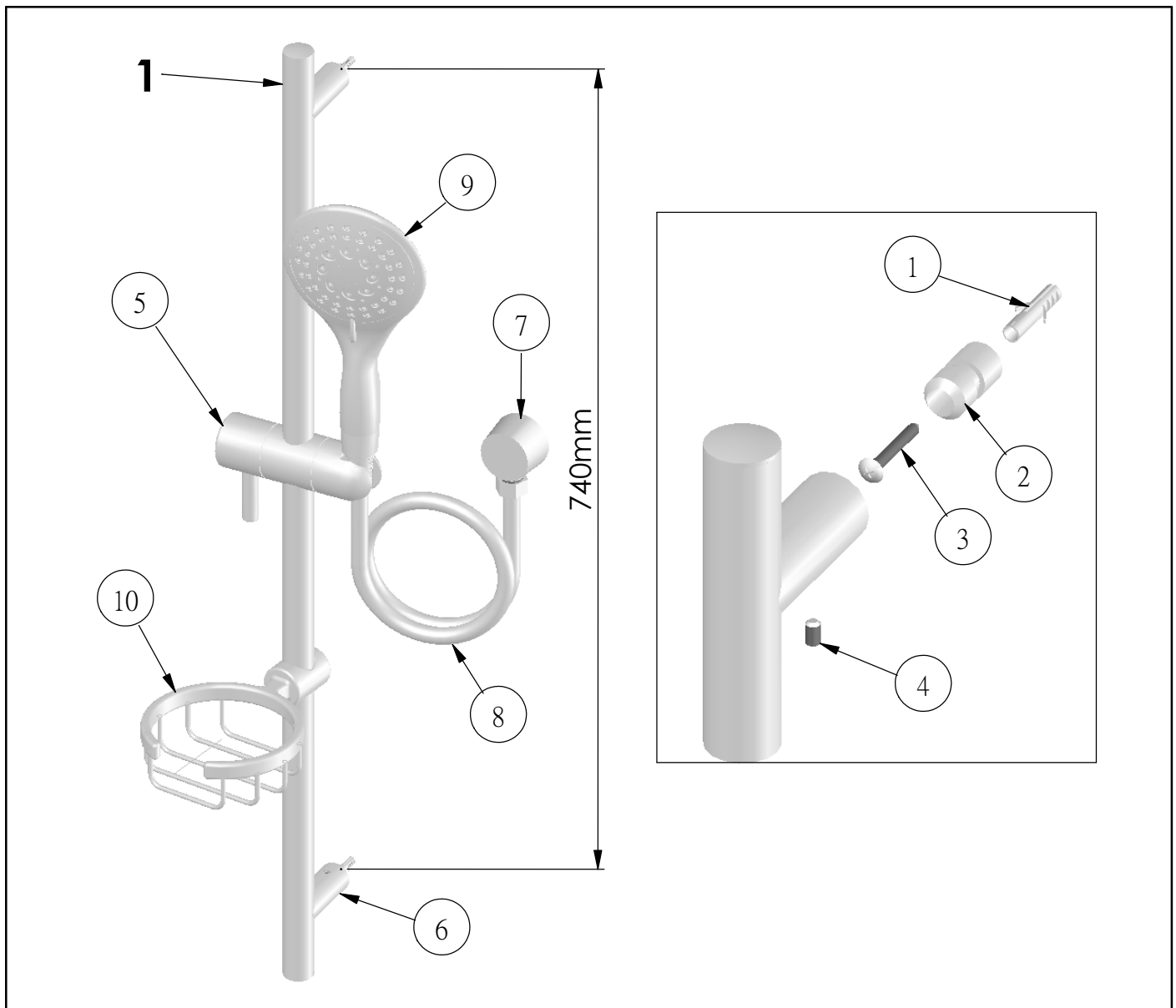


Brass Modern Sliding Shower Set



Monting Instructions

- Position Soap Dish (10) between the Centre Slider (5) and Bottom Fixing bracket (6).
- Mark the Two Holes to be drilled at approx-740mm centres and drill.
- Use the two wall plugs (1) and screw (long one) provided (3) to fix the brass holder (2).
- Position the Two Fixing Brackets (6) put the screw (short one) at the two brackets (4).
- Wall elbow with 1/2" NPT male thread connector (7) to wall and connect Flexible Hose (8) and Hand Piece (9).
- Shower kits (two washers and flow restrictors and teflon tape)